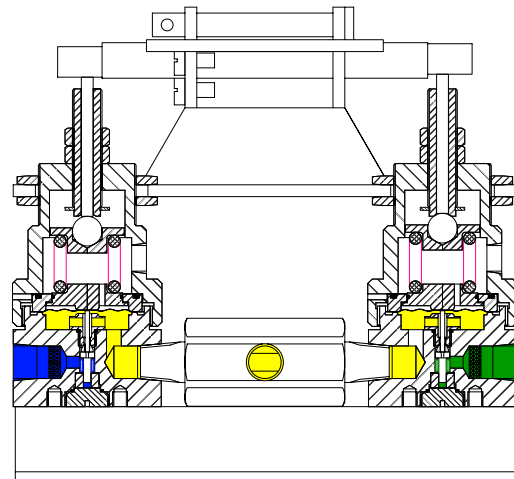


ACS-300 SERIES

Auto-changeover regulators



Features:

- 210bar max inlet pressure
- Easy to read indication of bottles 'in service'
- Modular concept to meet individual needs

Options:

- ✓ Tamper proof locking device
- ✓ Weatherproof enclosure
- ✓ Second stage let down regulator
- ✓ Pressure transducers or switches
- ✓ Alarm indications
- ✓ Relief valves, gauges, isolation valves & check valves to meet individual needs

The ACS-300 provides a continual supply of

Upon depletion of one bank, the other automatically cuts in. A quick switch of the lever ensures the supply is reset to its original value. An optional second stage regulator prevents fluctuations in supply pressure.

Applications:

- ✓ Medical or Laboratory process requiring a continual gas supply

NOTE: Product availability and specifications contained herein are subject to change without notice. Consult local distributor or factory for potential revisions and/or service related issues. // pg 1 of 2

ACS-300 SERIES

Auto-changeover regulators

Ordering information

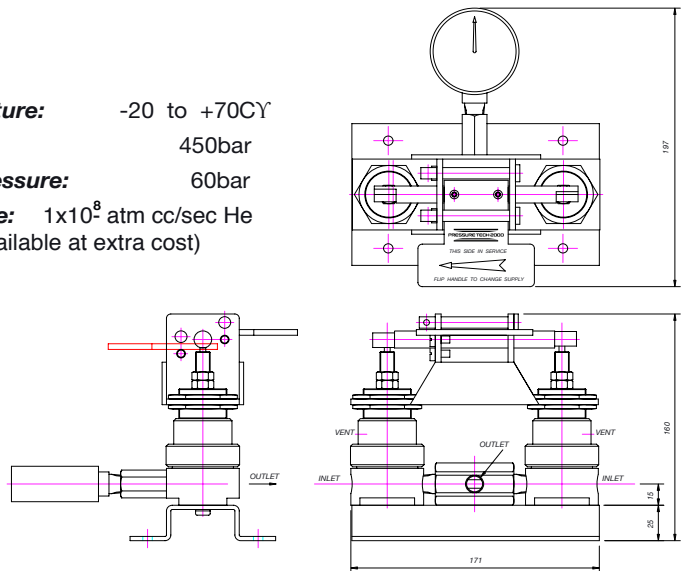
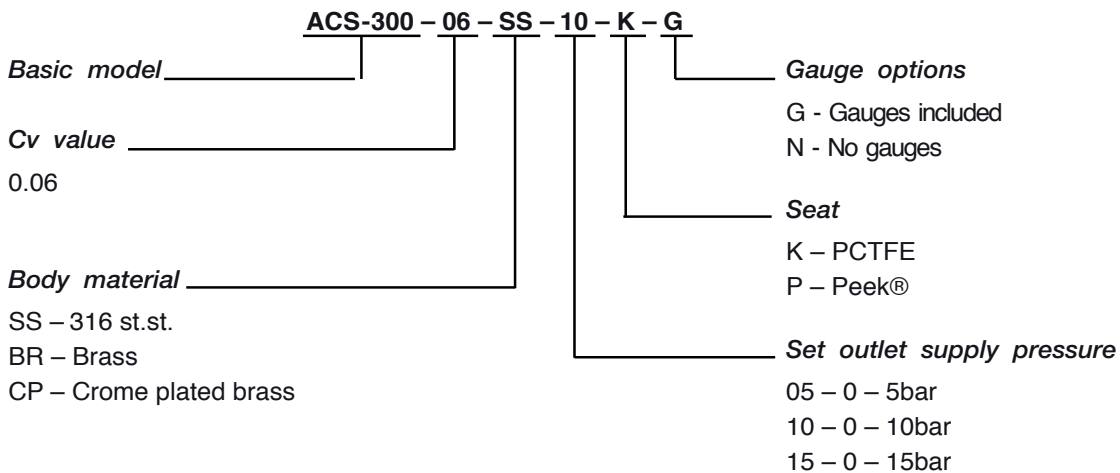
Standard specification:

Body and wetted parts:	316st.st.	Operating temperature:	-20 to +70C ^Y
Bonnet:	316st.st.	Proof pressure:	450bar
Seat:	PCTFE	Max rated outlet pressure:	60bar
Connections:	1/4" NPT	Inboard He leak rate:	1x10 ⁻⁸ atm cc/sec He (Individual testing available at extra cost)
Inlet filter:	20micron		
O ring material:	Viton		

Note: All regulators have been cleaned and ultrasonically degreased in accordance with ASTM G93-96. Use on Oxygen service is the users responsibility.

*Changes can be made to suit individual needs – please refer to sales office to discuss specific requirements

Model ordering information:



Experience has proved that the number of options available for auto-changeover systems is too extensive to provide a basic ordering system. Therefore, please call the office to discuss individual needs to the above base product, which may include the following options:

- ✓ Weatherproof enclosures
- ✓ Shut off valves or check valves
- ✓ Safety relief valves
- ✓ Flexible hoses and bottle connections
- ✓ Gauges, transducers, and switches
- ✓ Block and bleed valves or purge supply lines

NOTE: Product availability and specifications contained herein are subject to change without notice. Consult local distributor or factory for potential revisions and/or service related issues. // pg 2 of 2